

BUTTERFLY VALVE



The all-stainless steel Nicro Butterfly Valve was developed and manufactured in South Africa when this type of product was otherwise unavailable. Rated 1600kPa, these valves are manufactured to comply with British standards No 5155 and AP1908.

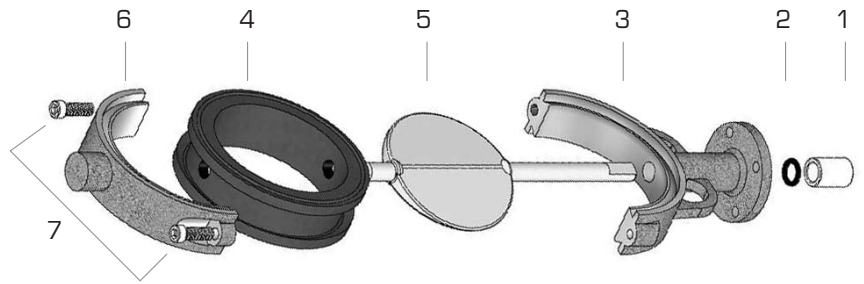
Advantages - Features

- All stainless materials, including the body.
- Water design, giving minimum obstruction to flow.
- Integral shaft and disc, therefore no crevices.
- Multiple O rings moulded integral with seals
- New seal can be fitted with valve in position, by only removing the bottom cap.
- Disc seal is good as a precision ball seal, as disc is a slice out of a sphere, thus giving full concentric sealing, lower torques, longer seal life and positive shut-off in closed position.
- Disc and body can be manufactured in all grades of stainless steel, including Sanicro 28 and Hastelloy, depending on clients' requirements, and with all coatings.
- Liners can be manufactured in a range of materials: natural rubber, buna, EPDM, nitrile, silicon and viton.

Applications

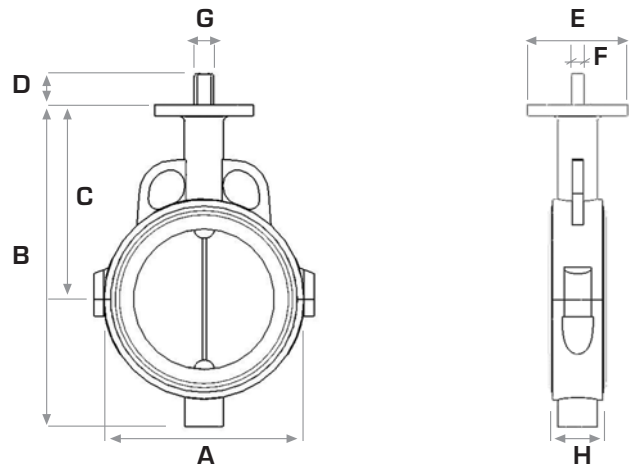
- Dry bulk conveying
- Paper mills
- Chemical industry
- Slurry handling
- Food and beverage

BUTTERFLY VALVE



Item	Description valve	Qty/No.	Part No.
1.	Bush	1	1202
2.	O ring	1	1203
3.	Body	1	1204
4.	Liner	1	1205
5.	Disc-stem	1	1206
6.	Cap	1	1207
7.	Screw cap	2	1208

Major dimensions



Valve size	A	B	C	D	E	F	G	H
2 5	63	110	80	22	57	6,0	9,3	29
40	81	135	95	22	57	6,0	9,3	31
50	99	192	140	27	102	9,5	14,0	45
80	124	221	159	27	102	9,5	14,0	45
100	156	260	180	27	102	11,0	16,0	51
150	208	340	205	32	103	12,7	19,3	52

Note: When ordering spares, specify the part number. Item numbers are for illustration reference only.

Nicro has a policy of continual research and development, and reserves the right to change data without notice.