

# Data sheet

# Thermostatic mixing valve TVM-H

## Description



TVM-H limits and maintains constant level of mixing temperature in a system.  
The thermostatic mixing valve ensures a constant temperature of the mixed water at the outlet.  
TVM-H can be used in heating applications.

### Standard design

A thermostatic cartridge and a return spring ensure the constant blend temperature at the outlet.

Thanks to the design of the mixing valve, the thermostatic cartridge can be easily replaced in the installed valve if the performance decreases, which occurs due to normal wear and tear.

TVM-H 25 can also be used in water applications.

You can connect:

Without return valves	With return valves
3 showers	2 showers
4 sinks	3 sinks
2 kitchen/cleaning sinks	1 kitchen/cleaning sink

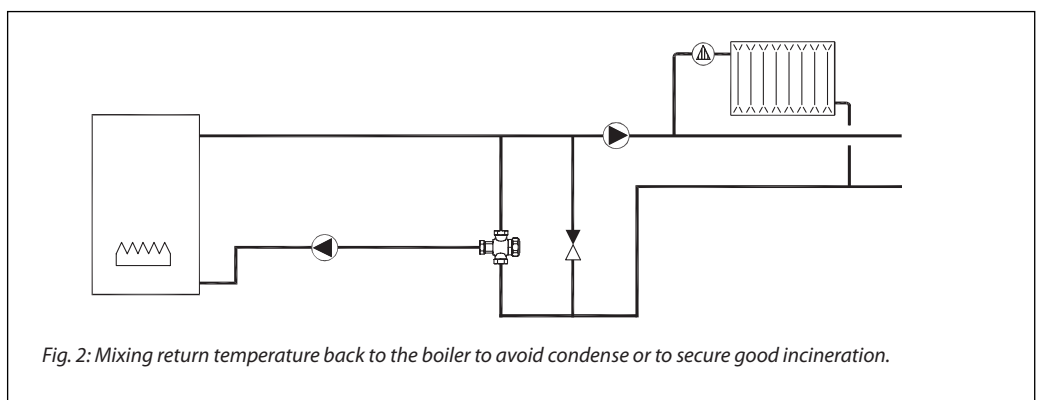
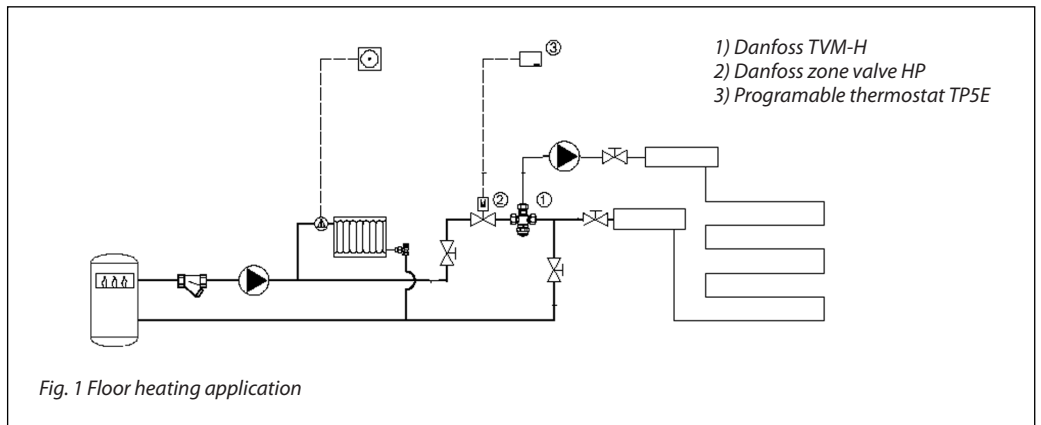
to TVM-H 25 (003Z1127).

### Advantages

- Constant temperature of the water at the outlet
- Variable setting of the nominal temperature range: 30 °C . . . 70 °C
- Special design with anti-scalding coating
- System components: accessories and spare parts

## Application

**Note for fig. 1:**  
Danfoss PACK solution consists of thermostatic mixing valve TVM-H, motorised valve and programable thermostat.  
This solution gives excellent temperature control for the under floor heating system up to 200 m<sup>2</sup> (TVM-H DN 25).



Ordering



DN	G	Temperature range	E <sup>1)</sup> (l/min)	k <sub>vs</sub> 1 <sup>2)</sup>	k <sub>vs</sub> 2 <sup>3)</sup>	Code no.
TVM-H 20	1"	30 - 70 °C	39	1.9	1.65	<b>003Z1120</b>
TVM-H 25	1 1/4"	30 - 70 °C	61	3.0	2.6	<b>003Z1127</b>

<sup>1)</sup> E = extracted (outlet) quantity at Δp = 1.5 bar

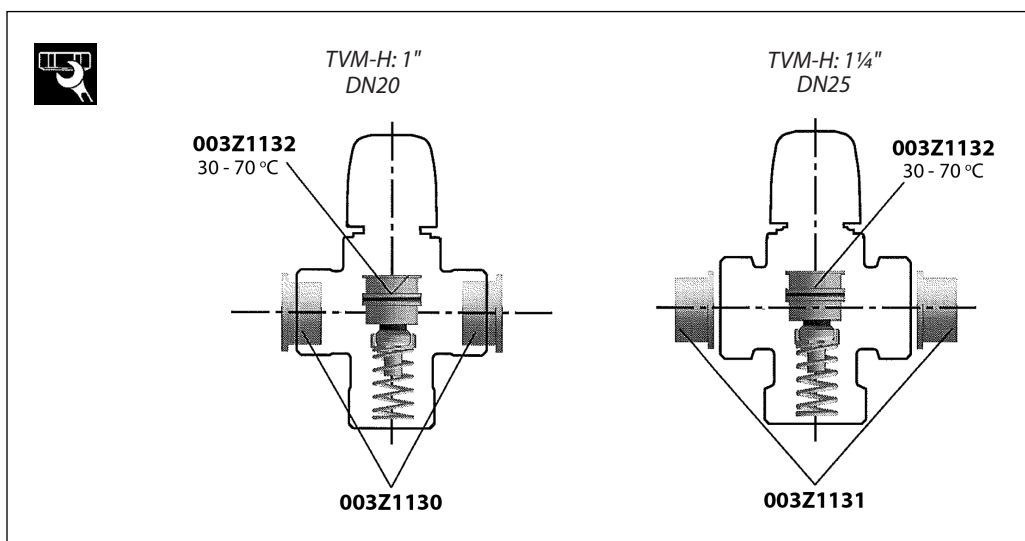
<sup>2)</sup> k<sub>vs</sub> 1 = without check valve

<sup>3)</sup> k<sub>vs</sub> 2 = with check valve

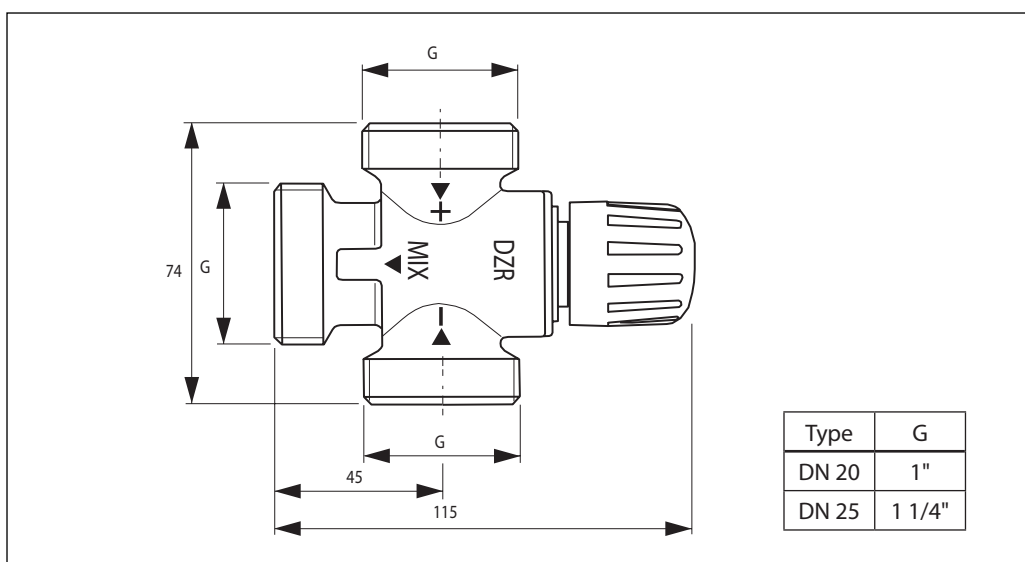
Accessories and spare parts

Type	Max. pressure	Max. temperature	Code no.
 Check valve DN 20	10 bar	95 °C	<b>003Z1130</b>
 Check valve DN 25	10 bar	95 °C	<b>003Z1131</b>
Thermostatic element			<b>003Z1132</b>

Spare parts/Dimensions

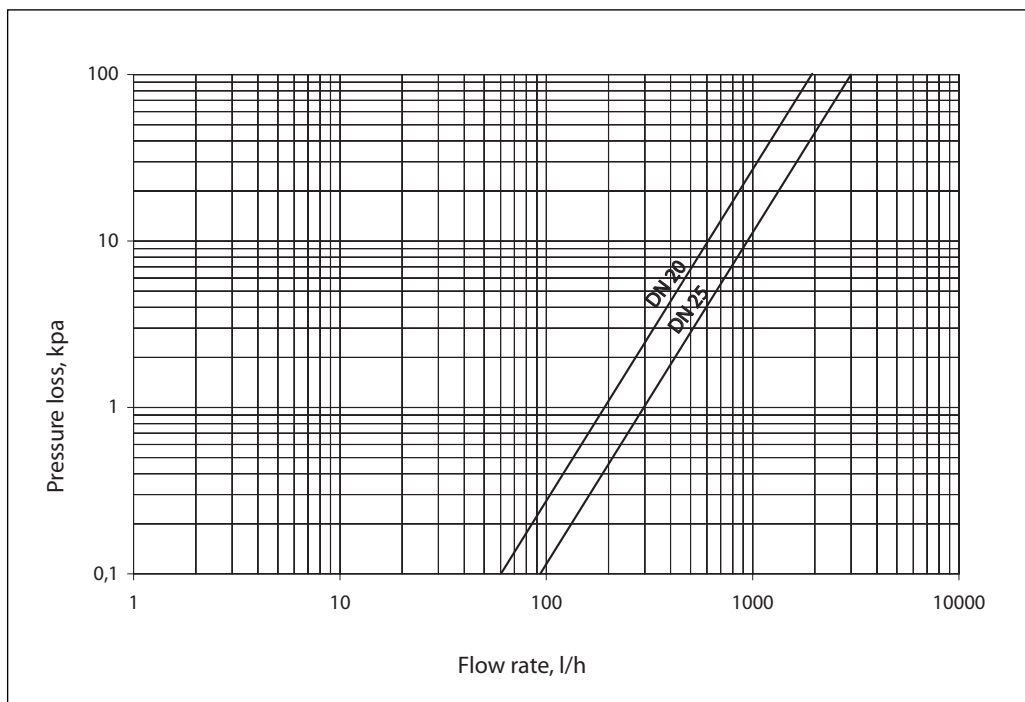


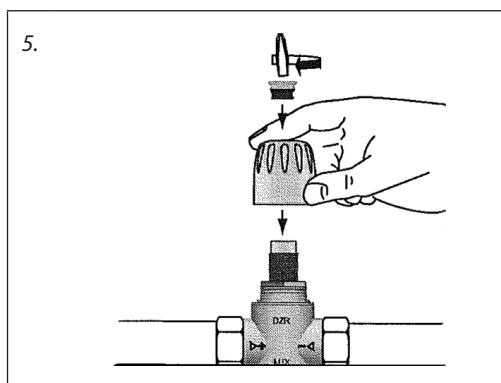
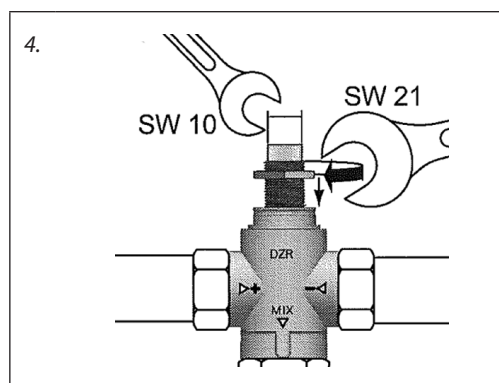
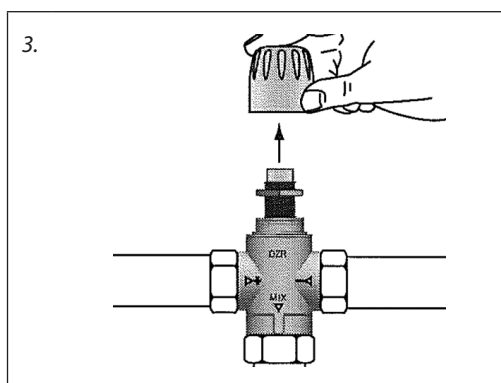
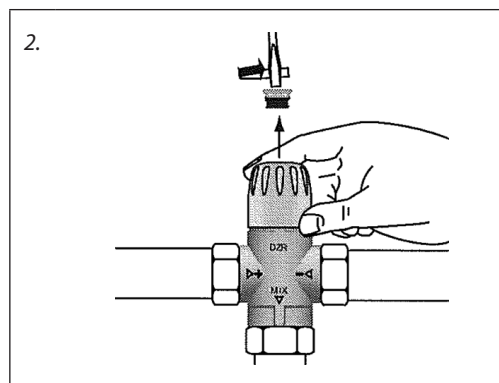
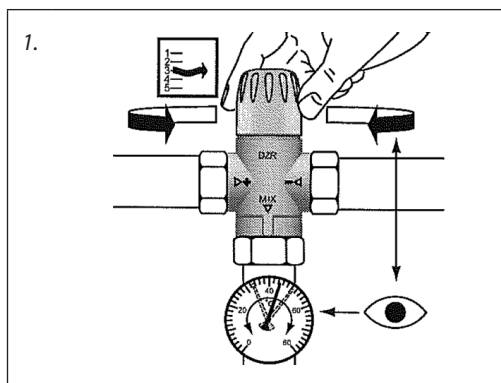
Dimensions



Technical Data

Approved for:	Factory temperature pressetting	70 °C
	Cold water supply temperature	10 °C
	Hot water supply temperature	70 °C
	Temperature stability	+/- 3 °C (depending on pressure and temperature)
	Max. operating temperature	max. of 100 °C hot water
	Supply pressure, static	10 bar max.
	Supply pressure, dynamic	500 kPa max.
	Max. pressure loss ratio	10:1
Materials:	Body	DZR + antilimescale treatment
	Plastic cap	Polystyrene
	Spring	SS steel 1.4301 (inoxydable)
	Sealing	EPDM





Danfoss can accept no responsibility for possible errors in catalogues, brochures and other printed material. Danfoss reserves the right to alter its products without notice. This also applies to products already on order provided that such alterations can be made without subsequential changes being necessary in specifications already agreed. All trademarks in this material are property of the respective companies. Danfoss and the Danfoss logotype are trademarks of Danfoss A/S. All rights reserved.